

**Exclusive price promotion
for Mikron MILL E 700 U**

**Achieve superior
efficiency and productivity
in 5-axis milling**



Mikron MILL E 700 U

Unleash your full potential

Achieve superior efficiency and productivity in 5-axis milling

The Mikron MILL E 700 U enhances your machining capabilities with greater capacity and superior performance. Designed with a robust C-frame construction made from cast iron, this machine offers unmatched stability and precision. Its extensive swivel range from -65° to $+120^{\circ}$ and the ability to handle heavy parts up to 450 kg on the tilting, swiveling table, make it an unparalleled solution in the market today. This machine is engineered to handle a wide variety of parts and tools, meeting the diverse needs of the automotive, energy, power generation, and general mechanics industries.

- + **50% more capacity** with up to 450 kg load on the dynamic table with counter-bearing
- + **Unmatched reliability** thanks to stiff construction and wide guideways with chips removal rate exceeding $300 \text{ cm}^3/\text{min}$
- + **Ready for pallet magazine integration!** Enhance your operations with the option to add a pallet magazine later, providing you with 24-hur billable autonomy



Robust and precise

MILL E 700 U core components

+ **60 tools magazine.**

Easy loading during operation

+ **Torque drives for rotary table**

High positioning accuracy and repeatability thanks to direct drive technology

+ **Large swivel range from -65° to $+120^{\circ}$**

Allows perfect access with the optimal tool length to the part

+ **High-Performance Step-Tec 20000 rpm motor spindle**

Delivering excellent surface finish for both roughing and finishing

+ **Linear Glass Scales**

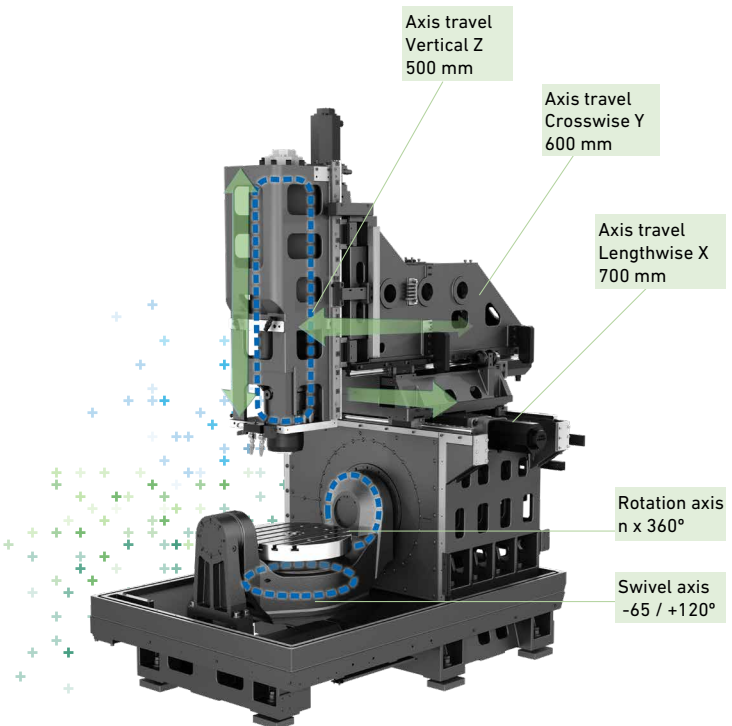
Maintain stable accuracy over time for consistent precision

+ **Pallet magazine ready**

Simplifies the start of automation for enhanced production efficiency

+ **Compact footprint and ergonomic access**

Maximizes operational efficiency and ergonomics within a small footprint



Mikron MILL E 700 U

Promotional configuration

ID	Description
995001292	Mikron MILL E 700 U
600.50/01	Machine with EC conformity declaration
229.00/77	Package EUSM 77 – FLEXIBLE
228.06/17	HEIDENHAIN TNC 640 (torque motor) -20,000
229.08/02	Spindle 20.000 min ⁻¹ / HSK-A63
229.09/03	Tool magazine CT60 / HSK-A63
229.05/03	Rotary tilting table (RTT) – simultaneous 5-axis
229.04/02	Rotary trough table, Face plate Ø630
600.12/60	Interface for Pallet magazine
229.11/06	Lift-up chip conveyor slat band
600.11/35	Chip trolley
229.10/01	Complete machine enclosure
228.10/10	Window front door
224.11/21	Mist extraction unit
600.12/67	Compressed air through spindle & Prep. for TSC
600.12/19	Beacon
228.12/01	Movable hand wheel Heidenhain
229.06/20	Linear glass scales Heidenhain
228.06/30	Laser measuring system Heidenhain
228.06/40	Preparation Touch probe infrared Heidenhain
500.52/60	ISM Intelligent Spindle Monitoring
500.52/04	ITC Intelligent Thermal Control
500.52/57	EconoWatt
500.52/13	DNC Remote network access on control
500.52/20	KinematicsOpt
500.52/39	Calibration ball HH KKH 100
600.21/64	Packing Type B - Container
600.21/62	Packing Lift-up chip conveyor
CSP995002	Bronze+ with machine
CSP000024	Yearly base contract
CSP000005	Teleservice / Hotline and Remote Service Package
200011243	rConnect
CSP000008	Remote Service Support
CSP000011	Milling: Spindle Diagnostic Service
CSP000012	Extended rConnect Remote Support 24/5
ZLI001945	Transport
ZLI001942	Installation
ZLI001943	Basic training – 2 days

Ultimate machining efficiency

At an unbeatable price

Unlock unparalleled machining capabilities with the Mikron MILL E 700 U.

Your benefits

- + **Exclusive Promotional Price:** Take advantage of our special pricing available only for a limited time.
- + **Fast Delivery:** Guaranteed delivery within 4 months to keep your production on schedule.
- + **Comprehensive Configuration:** Benefit from a rich machine configuration tailored to meet diverse machining needs.
- + **Extended Warranty:** Enjoy peace of mind with a 24-month warranty on the machine, contingent on an annual service review, and a 24-month or 5000-hour warranty on the spindle.
- + **Promotion Validity:** This special promotion is valid until the end of September 2024, giving you ample time to plan and make the most of this opportunity.
- + **Targeted Promotion:** This exclusive offer is available for customers from Latvia, Lithuania, and Estonia.

Contact

3D Point AMS, SIA

Igor Zogla

igor.zogla@georgfischer.com

Mob. +371 29173287



3D Point
Advanced Machining Solutions

Promo price
295 000 €

Upcoming trade fair

TECH INDUSTRY

Unlock unparalleled machining capabilities with
the Mikron MILL E 700 U.

We are excited to announce that the Mikron MILL E 700 U will be featured at the upcoming **TECH INDUSTRY** exhibition in Riga (Latvia). This is an excellent opportunity for you to see firsthand the efficiency and productivity that this state-of-the-art 5-axis machining center can bring to your operations.

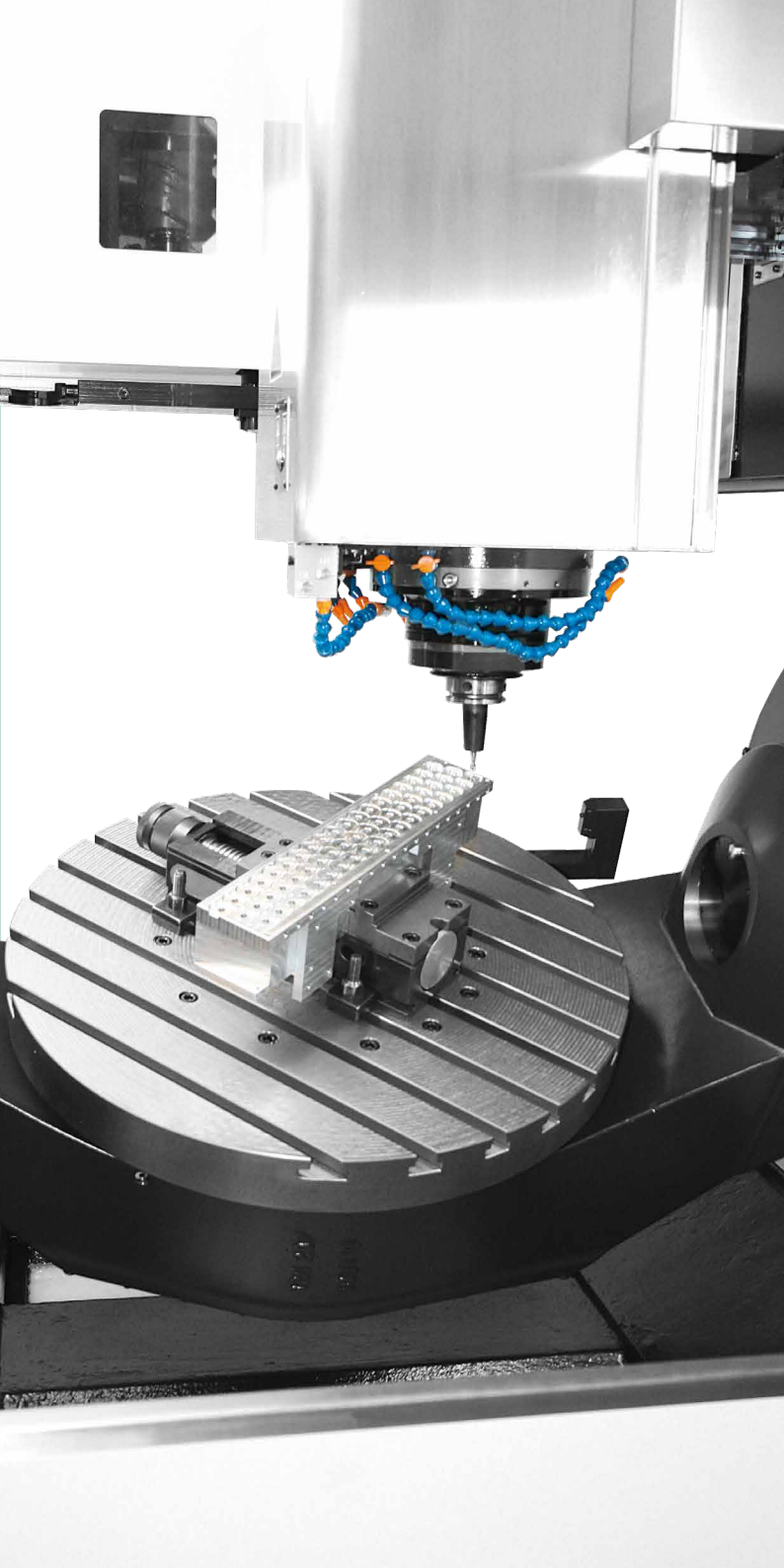
- + **Location:** Kipsala International Exhibition Centre
- + **Dates:** 28-30 November
- + **Opening hours:**
 - 28th-29th November 10:00 - 18:00
 - 30th November 10:00 - 17:00
- + **Booth Number:** E3

Don't miss this exclusive opportunity to see live demonstrations, engage with our experts, and learn how the Mikron MILL E 700 U can meet your machining needs. Visit us and unleash your full potential!

Mark your calendar and visit us in Riga – where innovation meets performance!



LATVIA, RIGA, 28 - 30 NOV



At a glance

We enable our customers to run their businesses efficiently and effectively by offering innovative Milling, EDM, Laser, Additive Manufacturing, Spindle, Tooling and Automation solutions. A comprehensive package of services completes our proposition.

www.gfms.com